

Iron Table Bases

Inspired by life
made by enea



The Iron table collection features an elegant architectural base that is as solid as it is beautiful.



This lacquered steel base provides absolute stability, whilst the different heights and shapes provide multiple options to decorate with functionality, elegance, and timelessness.



This piece is ideal for cafés, bars, restaurants and hotels, and can also perfectly suit corporate environments.

Structure



ROUNDED SQUARE 412X412 ROUNDED SQUARE 511X511

Sustainability

- Eco-designed (ISO 14006).
- Solid oak or beech wood from European forests.
- The number of components has been reduced, and their ease of separation has been enhanced, to make the end-of-life phase more manageable. All these components are 100% recyclable or reusable.

Certificates

- Environment management system that meets ISO 14001.
- Indoor Advantage Gold certified (indoor air quality).

Warranty

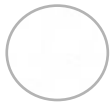
5 years

Finishes

Lacquered Structure



9005



9016



7016



7004



7032



5435



7545



533



5753



1245



4975



174

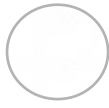
Table top



MA449



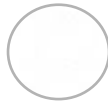
FENIX B



FENIX W



HPL B



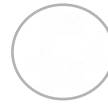
HPL W



HPL OAK



MELAMINE B



MELAMINE W



MELAMINE OAK

Products



Products

TABLE BASES IRON ROUNDED-SQUARE 412X412

ME073078

Designed by: Estudi Manel Molina



Structure

- Steel base lacquered according to Enea colours.
- Worktop support in steel lacquered according to Enea colours.
- Cold-rolled steel round tube structure Ø50x2mm, lacquered according to Enea colours.
- Wood lacquered with matt finish.

Table top Enea Small

- Oak veneered plywood.
- FENIX NTM.
- HPL Compact.
- Melamine.

Measures

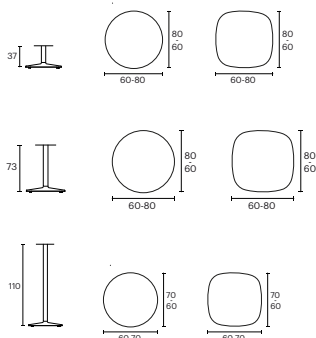


TABLE BASES IRON ROUNDED-SQUARE 511X511

ME073079

Designed by: Estudi Manel Molina



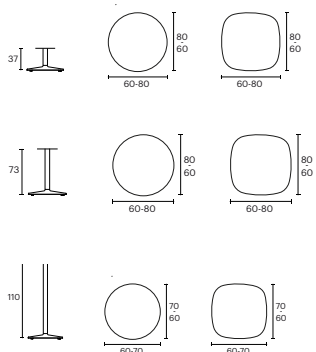
Structure

- Steel base lacquered according to Enea colours.
- Worktop support in steel lacquered according to Enea colours.
- Cold-rolled steel round tube structure Ø50x2mm, lacquered according to Enea colours.
- Wood lacquered with matt finish.

Table top Enea Small

- Oak veneered plywood.
- FENIX NTM.
- HPL Compact.
- Melamine.

Measures



WEIGHT - VOLUME

Product	Weight (kg)	Dimensions (cm)	Unit/Box	Weight/Box (kg)
Structure rounded-square 41.2x41.2cm h37cm	2.14	42 x 42 x 39	1	2.74
Structure rounded-square 41.2x41.2cm h73cm	2.39	42 x 42 x 75	1	2.99
Structure rounded-square 51.1x51.1cm h37cm	3.45	52 x 52 x 39	1	4.05
Structure rounded-square 51.1x51.1cm h73cm	3.78	52 x 52 x 75	1	4.38
Structure rounded-square 51.1x51.1cm h110cm	4.11	52 x 52 x 112	1	4.71
Table top HPL square 60x60	5.00	60 x 60 x 1	1	16.05
Table top Fenix square 60x60	5.00	60 x 60 x 1	1	10.65
Table top Melamine square 60x60	10.80	60 x 60 x 1.9	1	12.92
Table top Oak square 60x60	4.40	60 x 60 x 1.6	1	15.25
Table top HPL square 70x70	6.90	70 x 70 x 1	1	8.23
Table top Fenix square 70x70	6.90	70 x 70 x 1	1	8.23
Table top Melamine square 70x70	14.70	70 x 70 x 1	1	17.58
Table top Oak square 70x70	6.00	70 x 70 x 1.6	1	7.15
Table top HPL square 80x80	9.00	80 x 80 x 1	1	10.75
Table top Fenix square 80x80	9.00	80 x 80 x 1	1	10.75
Table top Melamine square 80x80	19.10	80 x 80 x 1.9	1	22.97
Table top Oak square 80x80	7.80	80 x 80 x 1.6	1	9.34
Table top HPL rounded-square 60x60	5.00	60 x 60 x 1	1	6.05
Table top Fenix rounded-square 60x60	5.00	60 x 60 x 1	1	10.65
Table top Melamine rounded-square 60x60	10.80	60 x 60 x 1.9	1	12.92
Table top Oak rounded-square 60x60	4.40	60 x 60 x 1.6	1	5.25
Table top HPL rounded-square 70x70	6.90	70 x 70 x 1	1	8.23
Table top Fenix rounded-square 70x70	6.90	70 x 70 x 1	1	8.23
Table top Melamine rounded-square 70x70	14.70	70 x 70 x 1.9	1	17.58
Table top Oak rounded-square 70x70	6.00	70 x 70 x 1.6	1	7.15
Table top HPL rounded-square 80x80	9.00	80 x 80 x 1	1	10.75
Table top Fenix rounded-square 80x80	9.00	80 x 80 x 1	1	10.75
Table top Melamine rounded-square 80x80	19.10	80 x 80 x 1.9	1	22.97
Table top Oak rounded-square 80x80	7.80	80 x 80 x 1.6	1	9.34
Table top HPL Ø60	4.00	60 x 60 x 1	1	5.05
Table top Fenix Ø60	4.00	60 x 60 x 1	1	5.05
Table top Melamine Ø60	9.80	60 x 60 x 1.9	1	11.92
Table top Oak Ø60	3.40	60 x 60 x 1.6	1	4.25
Table top HPL Ø70	5.90	70 x 70 x 1	1	7.23

Product	Weight (kg)	Dimensions (cm)	Unit/Box	Weight/Box (kg)
Table top Fenix Ø70	5.90	70 x 70 x 1	1	7.23
Table top Melamine Ø70	13.70	70 x 70 x 1.9	1	16.58
Table top Oak Ø70	5.00	70 x 70 x 1.6	1	6.15
Table top HPL Ø80	8.00	80 x 80 x 1	1	9.75
Table top Fenix Ø80	8.00	80 x 80 x 1	1	9.75
Table top Melamine Ø80	18.10	80 x 80 x 1.9	1	21.97
Table top Oak Ø80	6.80	80 x 80 x 1.6	1	8.34



Ola Auzoa, 4
20250 Legorreta
Gipuzkoa, Spain
+34 943 806 275
www.eneadesign.com
@eneaofficial